

TIS-UH45GF

12x Ultra HD PTZ Cameras

4K30 12X Lens USB3.0+HDMI+LAN AI Tracking Auto Framing



4K Ultra HD Resolution:

Applies SONY 1/2.8" Progressive CMOS sensor, 8.5 Megapixels, max. 4K (3840x2160) high resolution with frame rate upto 4K30fps.

Optical Zoom Lens:

UH45GF: 12x optical zoom, 72.5 distortion-free horizontal viewing angle.

USB3.0 +HDMI+LAN Interface, Rich Application Scenarios:

Compatible with all mainstream video output interfaces, supporting simultaneous output of ultra-high-definition 4K via HDMI and USB3.0, as well as high-definition 1080P via LAN.

Low Light:

The new ultra-high signal-to-noise ratio CMOS image sensor can effectively reduce image noise under low-light conditions. At the same time, 2D&3D digital noise reduction is applied to greatly reduce image noise. Even in ultra-low light conditions, the picture can still be kept clean and clear, and the image signal-to-noise ratio is higher than 45dB.

IR Remote Control Signal Transparent Transmission Function:

In addition to receiving its own infrared remote control signal, it can also receive the signal from consumer's infrared remote control and send it to the video conference terminal through the VISCA port.

Multiple Video Compression Standards:

Different interfaces support YUY2, H.265, MJ PG, H.264 multiple video compression formats.



Multiple Network Protocols:

Support ONVIF, SRT, RTSP, RTMP protocols.

Multiple Control Protocols:

Supports VISCA(VISCA Over IP), PELCO P/D protocol, automatically identifies protocol.

Multi-installation Methods:

Wall mounting, desktop or ceiling mounting.

New generation AI human tracking algorithm:

Supports AI tracking and Auto framing functions.

C>Note: When AI tracking and Auto framing functions are enabled, HDMI supports 1080p60 resolution output, USB 3.0 supports 1080P30 resolution output, there is no video output via LAN, and HDMI and USB 3.0 can output simultaneously.)

WEB GUI Control IP Management Tool (Pan / Tilt /Zoom / Etc.)

Specifications

Image Parameters	
Resolution	HDMI: 4K30/25, 1080p60/59.94/50/30/29.97/25, 720 p60/50
Image Sensor	SONY 1/2.8" CMOS
Pixels	8.50 Megapixels, B.29 Effective Megapixels
Scan Mode	Line by line
Lens	UH45GF : 12X Optical Zoom, f=4.1mm(W)~49.2mm(T), F1.8~F2.68
Horizontal View Angle	UH45GF: 72.5 °(W)~6.57° (T)
Vertical View Angle	UH45GF: 42.06 °(W)~3.76° (T)
Focus System	Auto, Manual
Shutter Speed	1/25s - 1/10000s
Minimum Illumination	UH45GF: 0.1 Lux @ (F1.8, AGC ON)
Exposure	Auto, Manual, Iris Priority, Shutter Priority, Brightness priority
White Balance	Auto. Indoor. Outdoor. Keying, Auto Tracking, Manual
Backlight Compensation	Support.
Digital Noise Reduction	2D&3D Digital noise reduction
S/N Ratio	≥ 50dB
Pan/Tilt	
Pan Angle	±168°
Tit Angle	-30°~ +90°



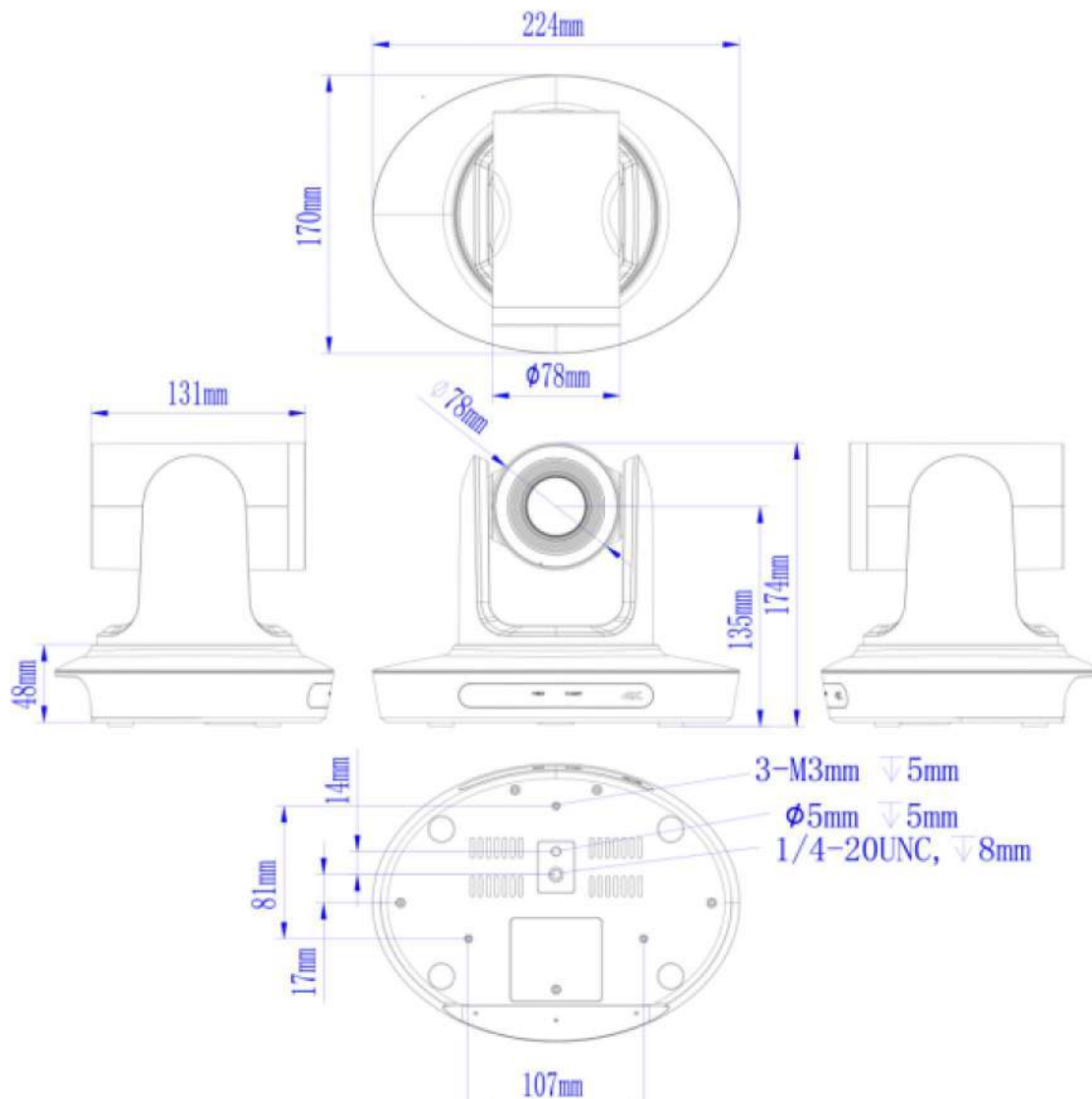
Pan Speed	1°~60° /s
Tit Speed	1°~60°/s
Preset Positions	9 preset positions by IR remote controller 255 preset positions by joystick controller or PC
Preset Accuracy	0.1 ° ±10%
Flip	Support.
POE	802.3 af
AI	
AI Tracking	Support.
Auto Framing	Support.
Tracking Size	Support.
Tracking Sensitivity	Support.
AI Guard Position	Support.
USB	
Protocol	UVC 1.1
Operating System	Window7 and above, MacOS, Linux, Android
Video Compression	YUY2, MJ PEG
Resolution	3840*2160, 2560*1440, 1920*1080, 1280*720,960*540, 800*600, 720*576, 720*480, 640*480, 640*360, 352*288, 320*240
Frame Rate	Max .30
uvc Control	Support.
LAN	
Protocol	TCP/IP, HTTP, RTSP, RTMP, RTMPS, SRT, Onvif, DHCP, VISCA Over IP , IPV4 , IPV6
Video Compression	H.264, H.265
Code Stream	Main code stream*1
Main Stream Resolution	1920*1080
Bitrate Control	VBR, CBR
Audio	
Audio Compression	AAC
Audio Bit Rate	128kbps
Interface	
HDMI Interface	1 Line, HDMI: Version 1.4
USB Interface	1 Line, USB3.0, Type-B Socket
Network Interface	1 Line, RJ45:10M/100M adaptive Ethernet port
Audio Interface	1 Line, Line In, 3.5mm
Serial Interface	1 Line, RS232 IN: 8-Pin Mini Din, up to 30 meters, VISCA / Pelco-D/ Pelco-P Protocol. 1 Line, RS422/485: 3-Core Phoenix Interface, upto 1200 meters, VISCA / Pelco-D/ Pelco-P Protocol.
Power Interface	JEITA RC-5320A Type 4



General Specifications

Input Voltage	DC 12V
Input Current	Max.1.5A
Power Consumption	Max.18W
Operating Temperature	0 - 40°C
Storage Temperature	-10 - 60°C
Color	Black
Dimension	(W) 224*(D)170*(H)174mm
Weight	1.2kg
Accessories	DC 12V power adapter, IR Remote, User manual, USB3.0 Cable 3m., HDMI Cable 3m.,RS-232C Cable, Ceiling bracket

Dimension



Application scenarios



Connection diagram

